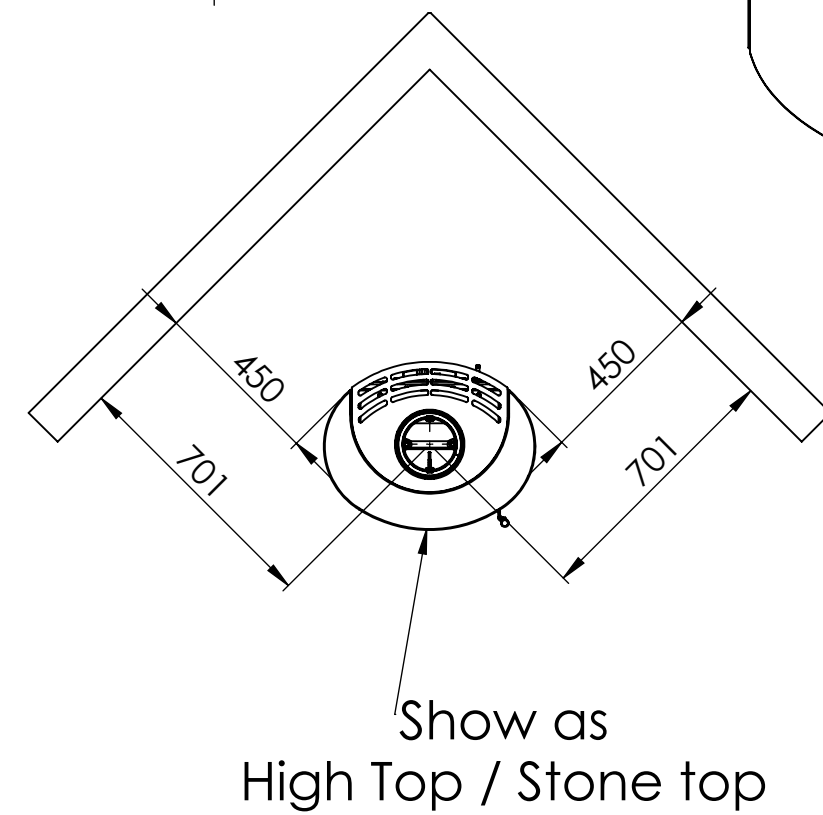
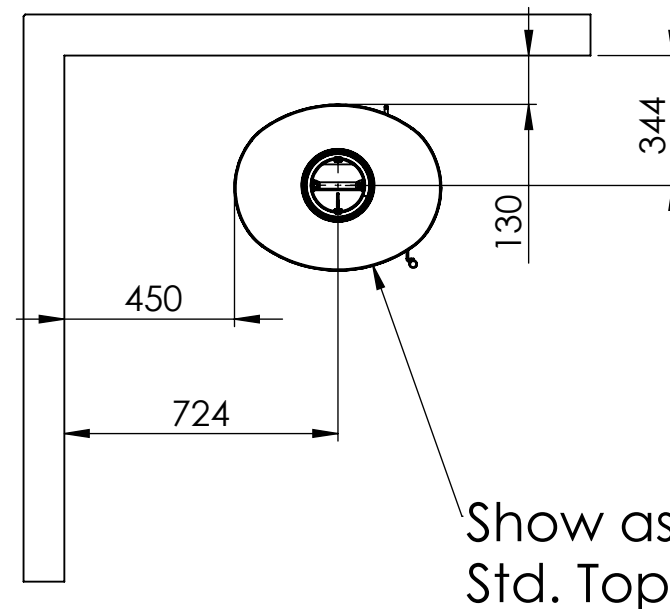
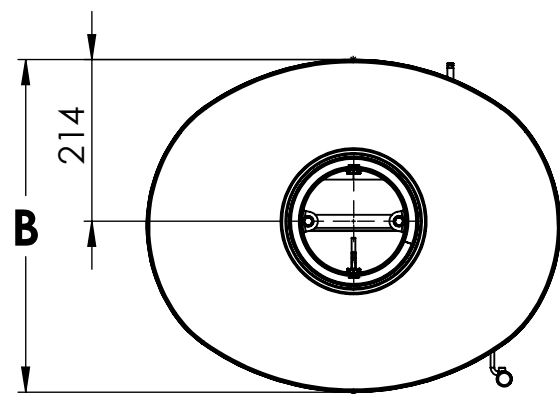
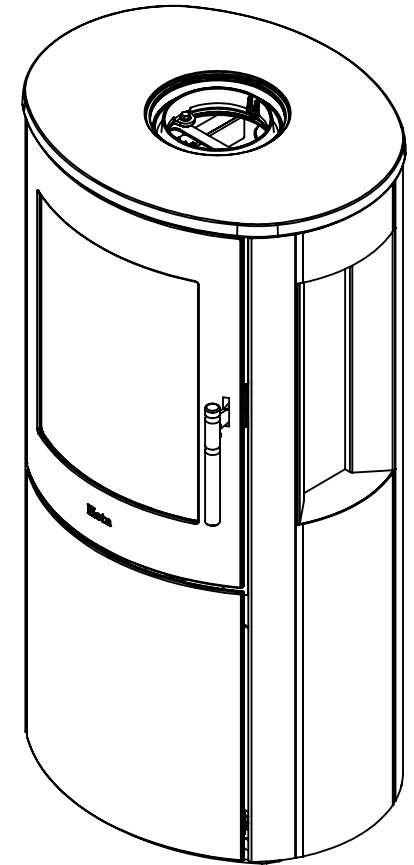
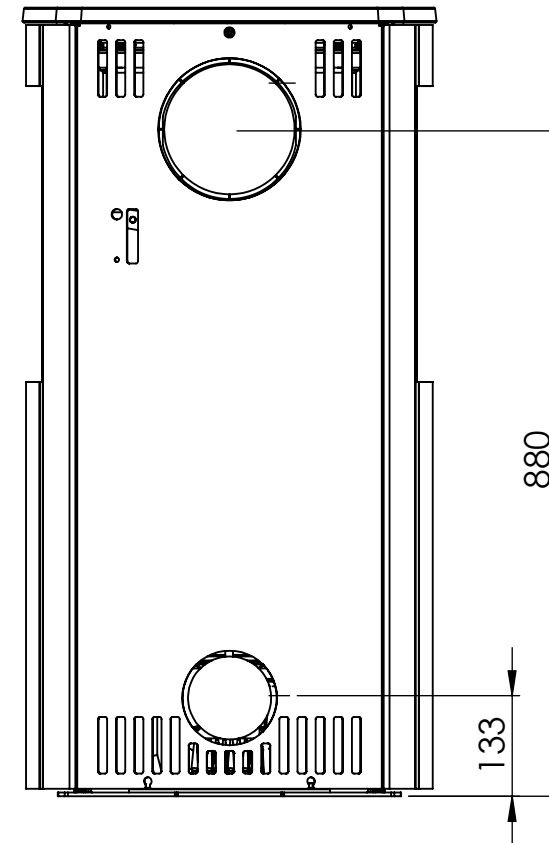
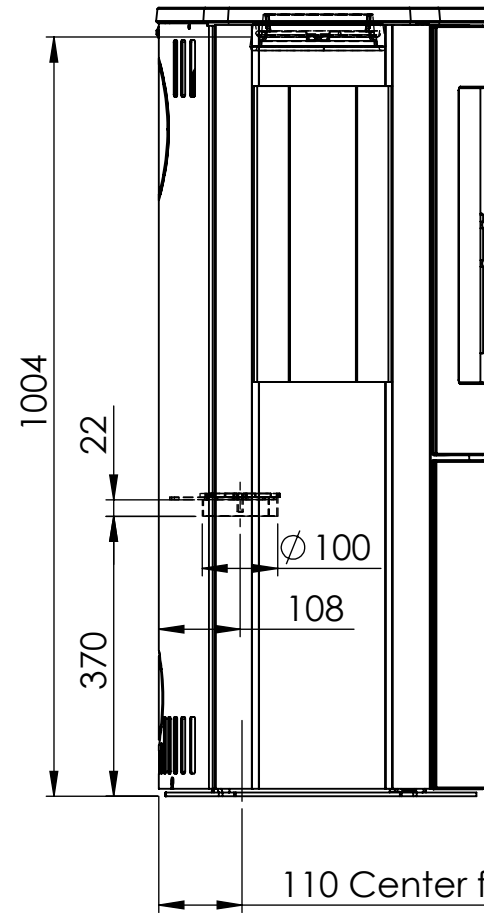
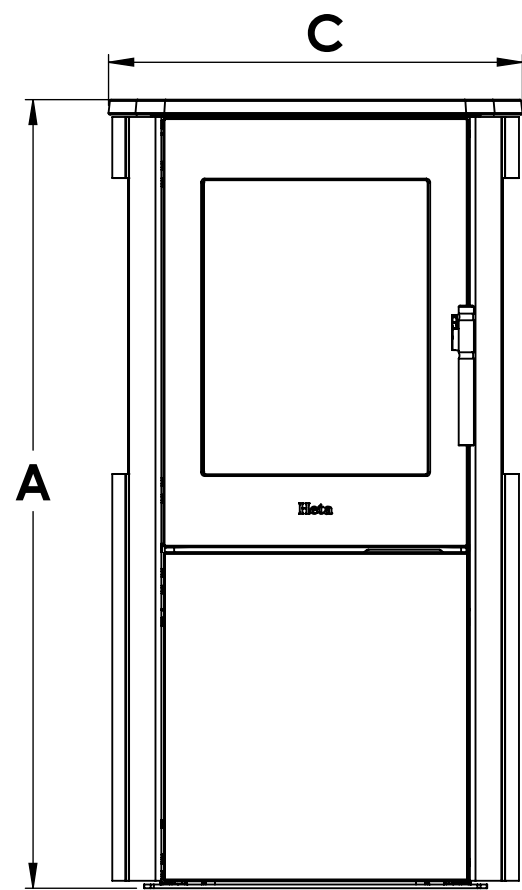




Serie	Scan-Line 800 series
Description	Scan-Line 800 side windows



	A	B	C
Std. Top	1043	440	547
High Top / Stone top	1075	445	560