

Me Pedestal = mm / air / chimney

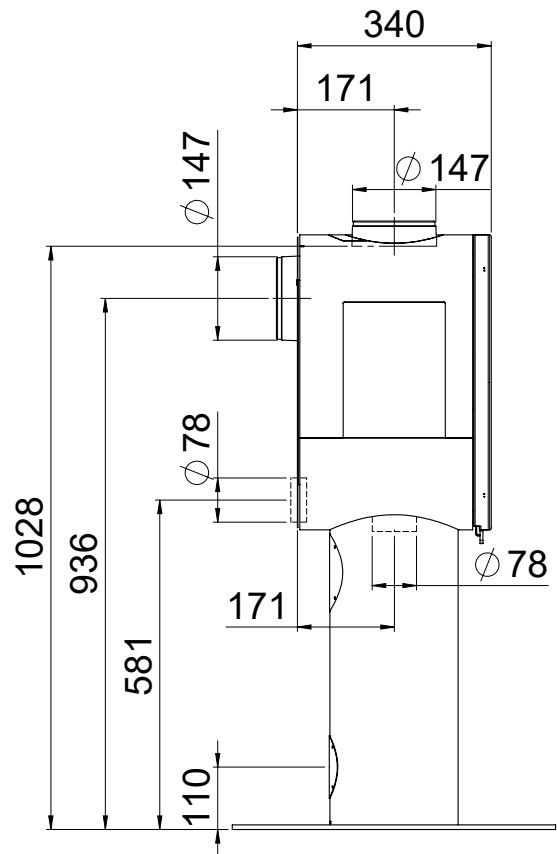
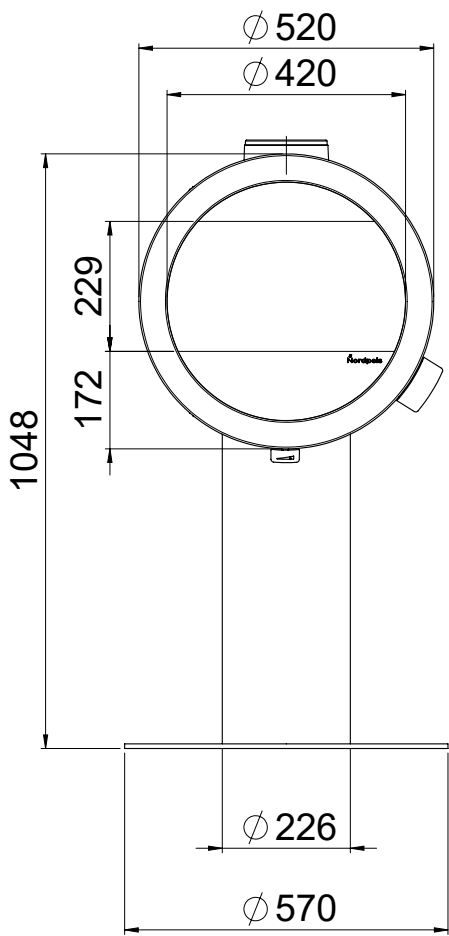
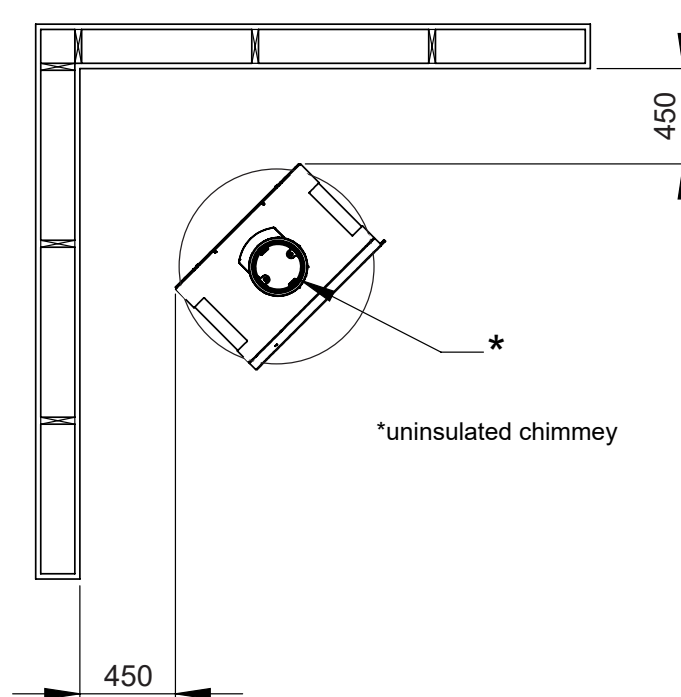


FIG 1A ME stove - safety distances

 = Brennbart materiale/ Brännbart material/ Combustible material/ Palavasta materiaalista/ Brennarem Material/ Matières combustibles

ME stove with side glass



ME stove without side glass

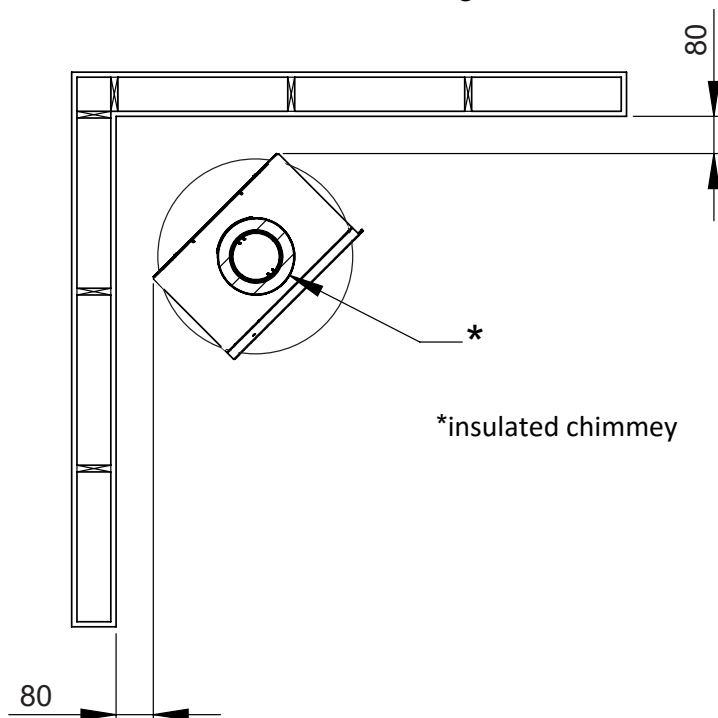


FIG 1B**ME Pedestal with sideglass - safety distances**

 = Brannmur/ Brandmur/ Firewall/ Palomuuuri/ Hitzenschutzwand/ Mur pare feu

 = Brennbar materiale/ Brännbart material/ Combustible material/ Palavasta materiaalista/ Brennbarem Material/ Matières combustibles

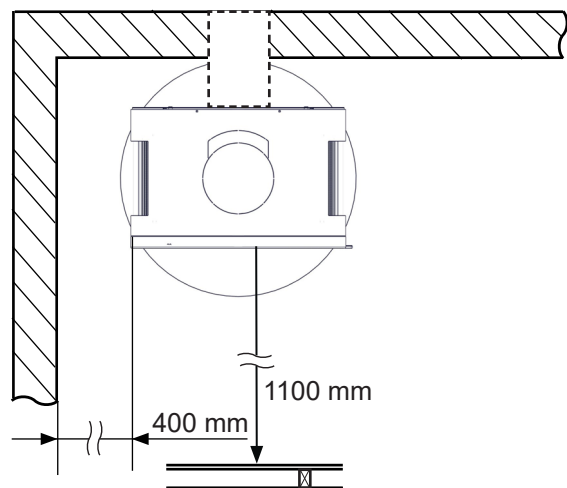
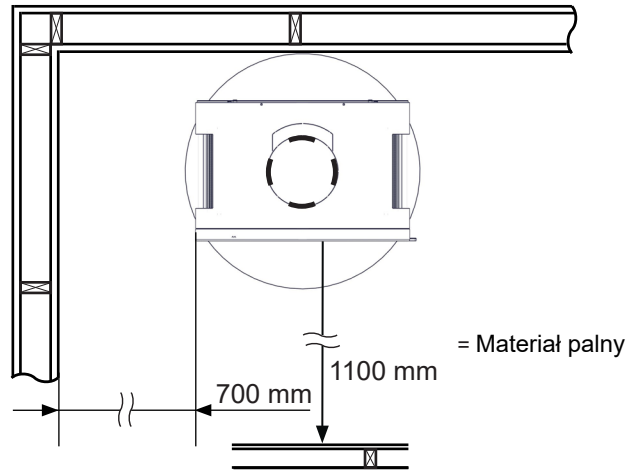
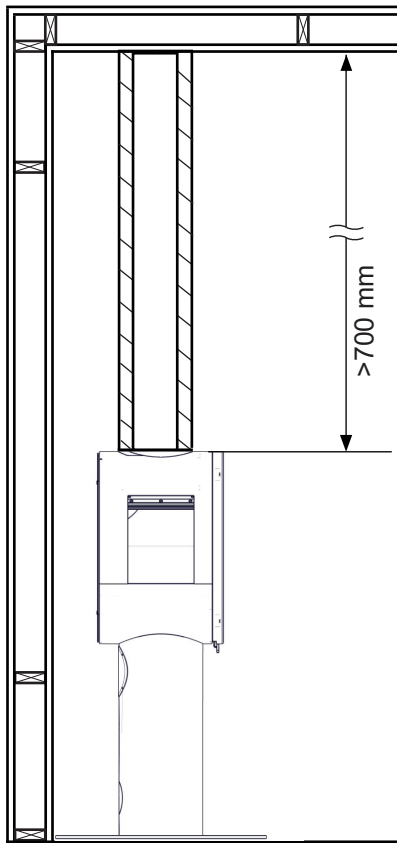


FIG 1C

ME Pedestal w/o sideglass - safety distances

 = Brannmur/ Brandmur/ Firewall/ Palomuuuri/ Hitzenschutzwand/ Mur pare feu

 = Brennbart materiale/ Brännbart material/ Combustible material/ Palavasta materiaalista/ Brennbares Material/ Matières combustibles

